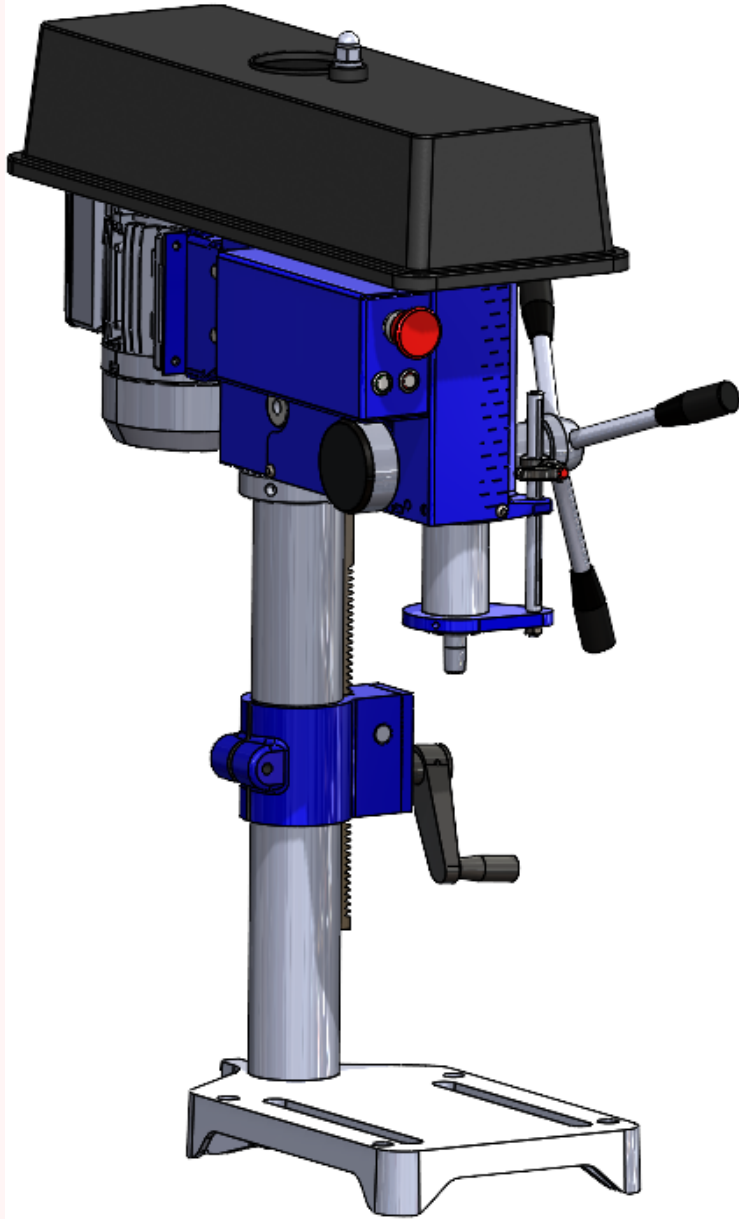


NEWSLETTER

JULY 2023

WWW.MEDDINGSGROUP.CO.UK



MEDDINGS ENGINEERING HAVE BEEN WORKING CLOSELY WITH MEDDINGS MACHINE TOOLS TO GET READY TO LAUNCH THE NEW UPDATED COMPACT DRILL.

THIS MACHINE NOW OFFERS A MORE STREAMLINED DESIGN WITH UPDATED START/STOP BUTTONS & REVISED ELECTRICAL ELEMENTS.

BEING ABLE TO DESIGN, MANUFACTURE AND BUILD THIS MACHINE FROM START TO FINISH AT OUR LEE MILL, DEVON PREMISES HAS ALLOWED US TO MONITOR THE PRECISION OF EACH COMPONENT BEING CREATED.

PLEASE GET IN TOUCH WITH EMMA OR JACQUI TO DISCUSS FURTHER ON 01752 313323 OR SALES@MEDDINGS.CO.UK

- DESIGN
- DEVELOP
- MANUFACTURE
- ASSEMBLE
- TEST



MEDDINGS FABRICATION ARE BUSY WITH NEW PROJECTS FROM THE ZOO'S, PRINCESS YACHTS AND GREAT WESTERN RAILWAY. OUR IN HOUSE WELDING SHOP CAN CATER FOR SMALL, MEDIUM AND LARGE JOBS.



THE MEDDINGS GROUP

MEDDINGS THERMALEC ARE PART OF THE MEDDINGS GROUP. THE GROUP IS MADE UP OF 5 DIVISIONS; MEDDINGS ENGINEERING, MEDDINGS MACHINE TOOLS, MEDDINGS FABRICATION, MEDDINGS THERMALEC & MERLIN INDUSTRIAL PRODUCTS. THE DIVISIONS INTERLINK AND WORK TOGETHER TO FORM THE MEDDINGS GROUP.

'A WIDER CHOICE FROM A SINGLE SOURCE'

WWW.MEDDINGSGROUP.CO.UK

[HTTPS://WWW.YOUTUBE.COM/@MEDDINGSGROUP8806](https://www.youtube.com/@MEDDINGSGROUP8806)

